



INSTALLATION MANUAL

GateKeeper

Combined security camera LED floodlight system

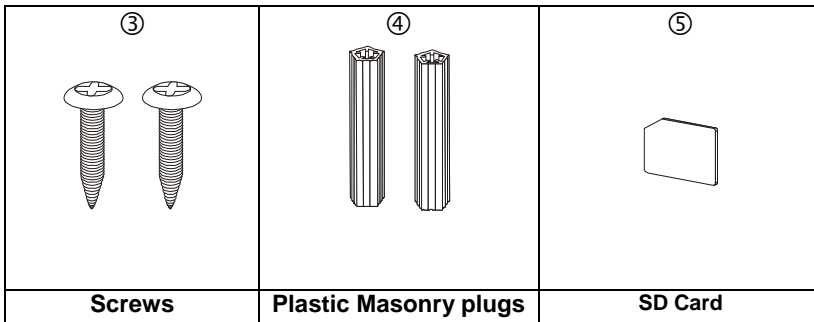
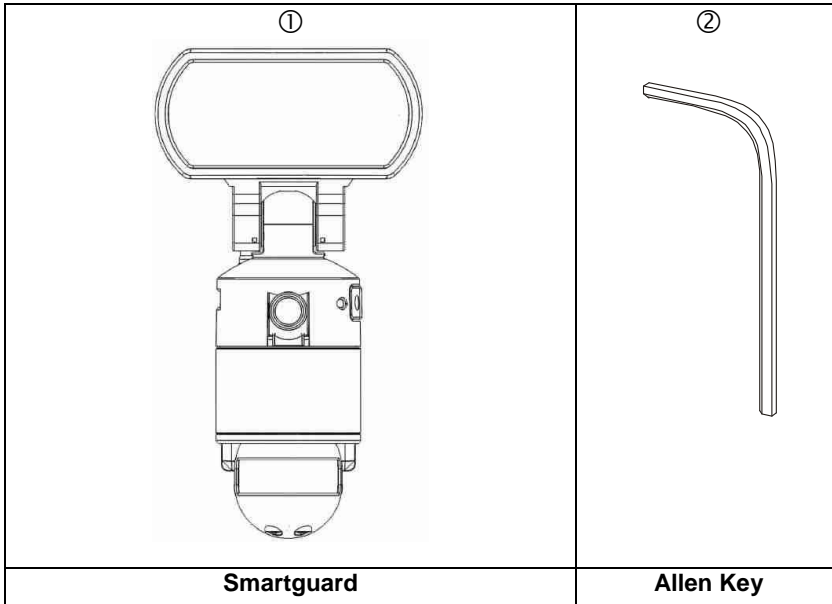


Table of contents

Chapter	Page Number
1. Contents of packaging	2
2. Plugging in the SD card into the Gatekeeper	3
3. Installing your Gatekeeper	4
4. Adjusting your Gatekeeper's settings	7
5. Viewing recorded video	9
6. Technical Specifications	10
7. SD Card: Important information	11
8. Safety Precautions	12
9. FAQ (Frequently Asked Questions)	13

1. Contents of packaging

1. 1 x Gatekeeper motion light with video camera
2. 1 x Allen key
3. 2 x screws (within accessories bag)
4. 2 x plastic masonry plugs (within accessories bag)
5. 1 x 4G Micro SD card



6. 1 x User Manual

2. Plugging in the SD card into the Gatekeeper

The main parts to the Gatekeeper are shown in Fig. 1.

Fig. 2 shows which direction you can adjust the PIR lens and by how many degrees.

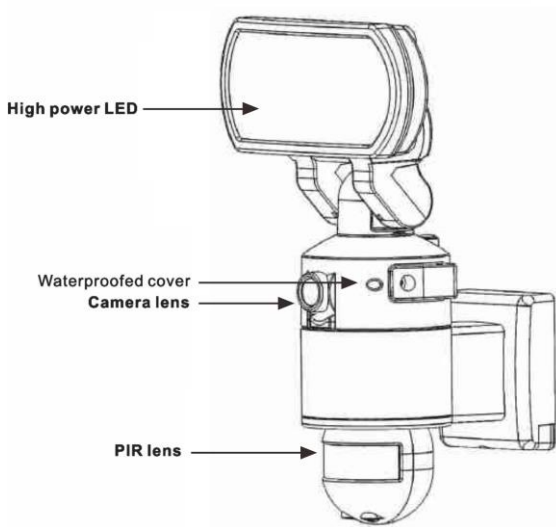


Fig. 1

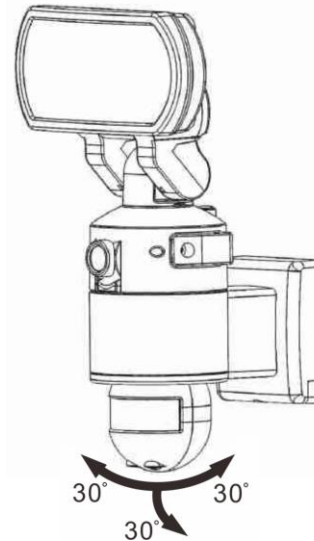


Fig. 2

1. Unscrew the waterproofed cover (See Fig. 3) using the provided Allen key, then insert the SD card until it automatically locks into place.
2. If you need to remove the SD card, please press the OFF button and take it out within 30 seconds.
3. When SD card is being read the LED light turns green. Do not remove SD card whilst light is green or data may be lost.
4. To remove SD card, push in SD card to eject. Once to unlocked then you can pull it out.

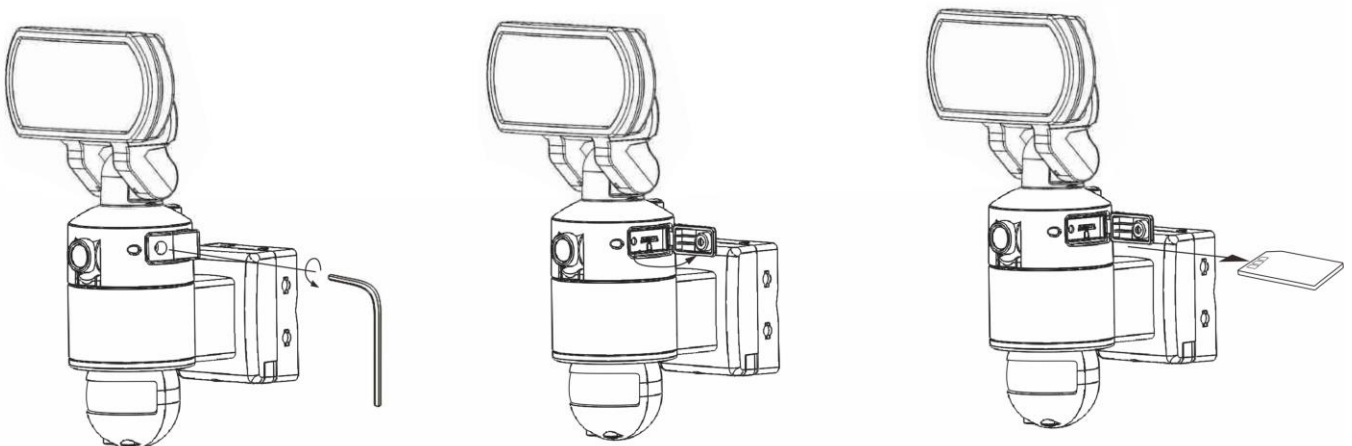


Fig. 3

3. Installing your Gatekeeper

IMPORTANT

IF IN ANY DOUBT ABOUT THE INSTALLATION OF THIS PRODUCT, CONSULT A QUALIFIED ELECTRICIAN

- This product must be grounded
- Do not mount the unit against inflammable surfaces
- The motion detector will not operate correctly if it is installed:

- ① Near the outlet of a central heating boiler
- ② Near air conditioning plant
- ③ Pointing directly at moving vehicles
- ④ Within sight of reflections from moving water
- ⑤ Where other lamps could shine on the detector

IMPORTANT

BEFORE ATTEMPTING ANY INSTALLATION OR MAINTENANCE, ENSURE THAT THE ELECTRICAL SUPPLY IS SWITCHED OFF AND THE CIRCUIT FUSES REMOVED OR THE CIRCUIT BREAKER IS IN THE OFF POSITION.

Please make sure the voltage and polarity are correct before connection. Incorrect voltage may cause electric shock. If you are not sure, please contact your retailer.

Note: It is recommended to mount the Gatekeeper Motion Light with Video Camera 2M above the ground for optimum performance, do not mount the fixture below 1.2M. See below figure for details of performance range.

Detection range: 10M x 160° (see Fig. 4)

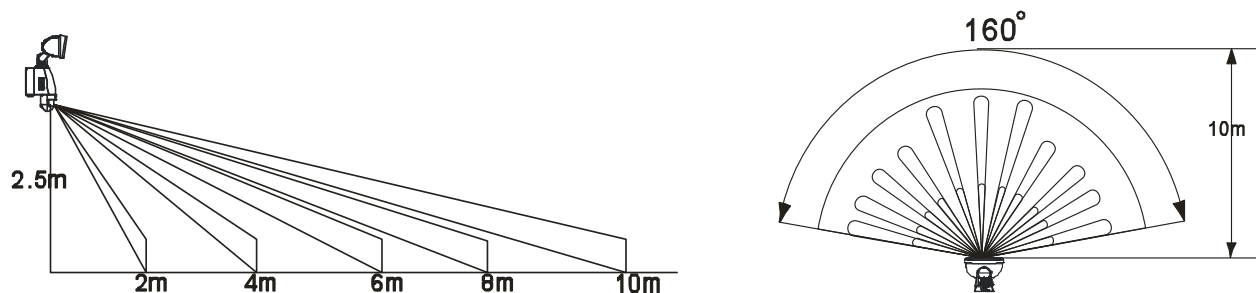


Fig. 4

1. Place plastic masonry plugs into the desired surface, aligning the holes as shown in Fig. 7. Using an electric screwdriver, fasten waterproofed mounting plate directly to surface using screws E.
2. Feed the waterproofed cable through the back mounting box and bush the cable entry to avoid abrasion to the waterproofed cable.
3. Wire the unit as follows (Fig. 5):

(Ensure all wires are connected securely and that no loose strands are exposed)

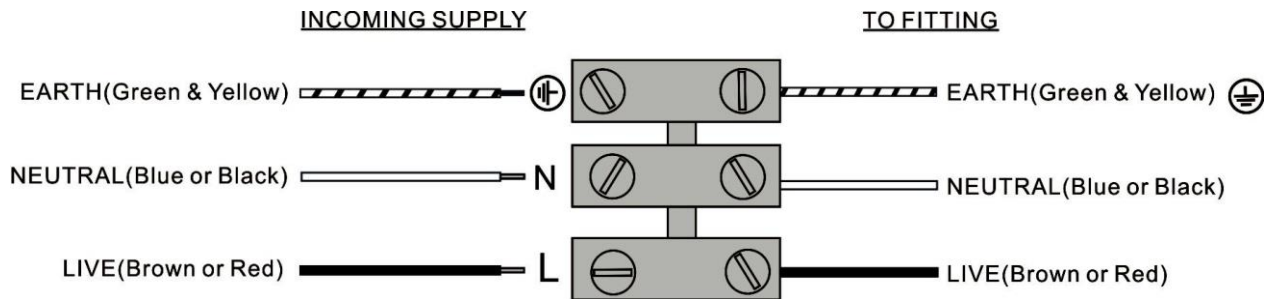


Fig. 5

4. Make sure the polarity is correct. Double check the connections after wiring (see Fig. 6). Errors may damage the motion sensor or cause a fire hazard.

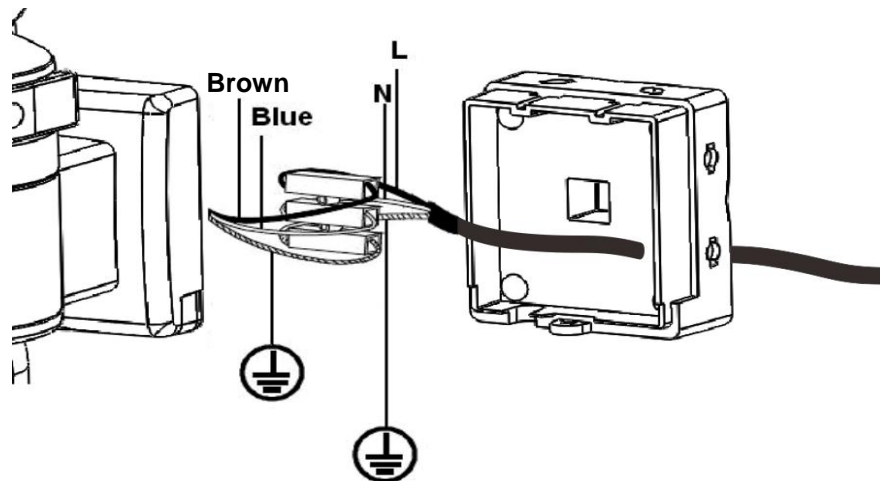


Fig. 6

5. Attach the unit to the waterproofed mounting plate, as also shown in Fig. 7. You will firstly need to angle the unit back so that the catch at the top of the waterproofed mounting plate fits into the slot on the back of the unit. Next lower the unit until holes at the bottom of the waterproofed mounting plate and unit are flush. Then screw into this hole, tightening carefully.

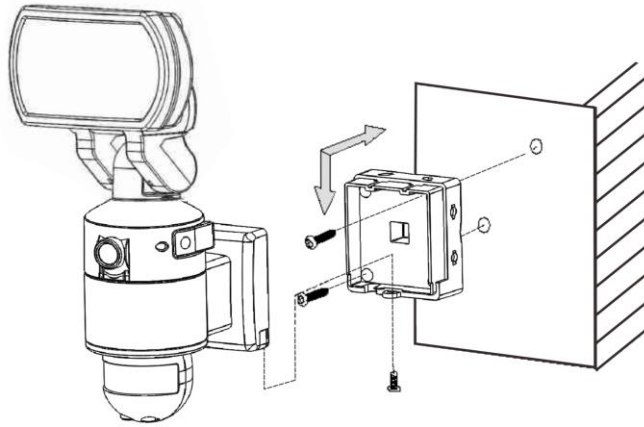


Fig. 7

Please allow 1 minute warm-up time after switching on. Push the RESET button after switching on.

Remove plastic lens cover from camera after installation (see Fig. 8)

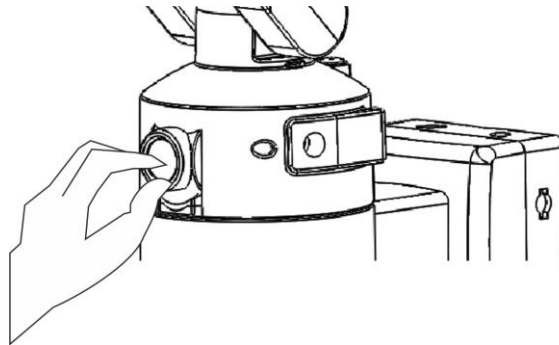


Fig. 8

4. Adjusting your Gatekeeper's settings

- **Time control:** Turn the time control knob to “+” side to increase the illumination time (7 minutes max.), turn the control knob to “-” side to reduce the illumination time (5 seconds minimum).
- **Walking Test:** To perform a walk test turn the knob fully to the “-” side until the indicator faces the “W” mark. When the walk test is completed adjust the knob to the “+” side to your desired lamp on time (we recommend this be at least 20 seconds to ensure lighting of the area is sufficient for recording – 20 seconds is marked as “20” on the product).

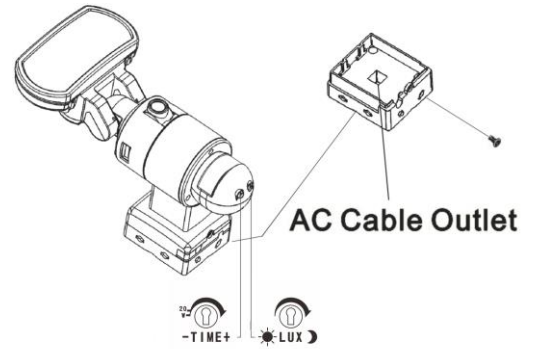


Fig. 9

- **Dusk Level /Lux Setting:** This setting is used to control the ambient light level at which the motion security light turns on. You can set the light to turn on only in darkness by turning the control fully clockwise to the “☾” sign position, or allow the security light to trigger even during daylight by turning the control fully anti-clockwise to the “☀” sign position, or choose a light level in between.
- **LED indicator:** for indicating the function status of the unit by different color LED lights (see Fig. 10).
 - **Red:** SD card is not inserted into the SD slot or the system is malfunctioning.
 - **Green:** The unit is recording or USB is inserted and connecting with the computer
 - **LED off:** stand-by (SD card is inserted into the slot) when off/record button is pressed

Please note when off/record button is pressed, remove SD card within 30 seconds (now the LED will turn red after SD card is removed from the slot).

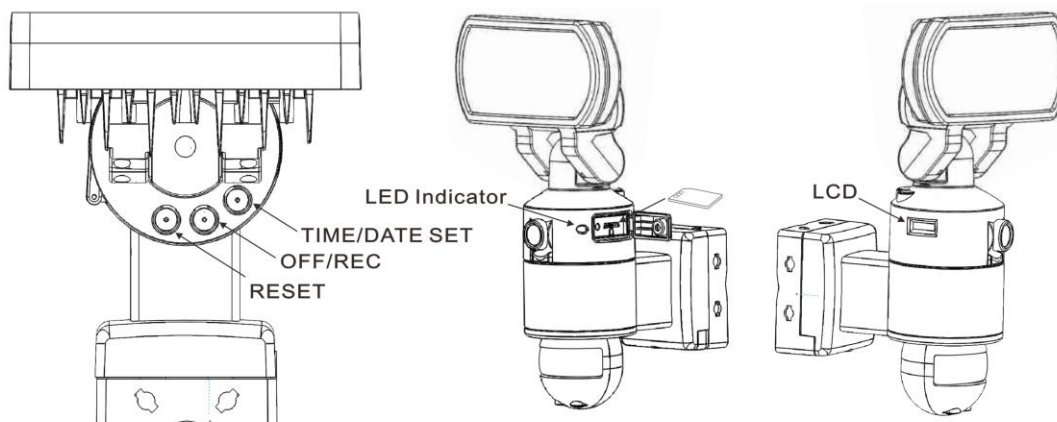




Fig. 10

- **Reset button:** restore functions to default settings
 1. Press RESET button once each time you turn on unit.
 2. Please press this button in case of system malfunction.

- **Off/Rec:** Please press Off/Rec button to remove SD card. Please remove card within 30 seconds of pressing the Off/Rec button to avoid loss of data.

Setting the day and time

This will allow the security video taken by Gatekeeper to display the correct date and time it was taken.

1. Push TIME/DATE SET button (see Fig. 10) for 3 seconds, The LCD screen will then flash 3 times, indicating you have entered Time/Date setting mode.
2. **“YEAR” setting:** “Y” and “08” are displayed on the screen; push the button to set year from “08-99”, push the button again and hold for 3 seconds to scroll through numbers quickly. If you have not pressed the button for 3 seconds, it will automatically save the year and go on to allow you to set the month.
3. Repeat the same setting procedure for **MONTH/DATE/HOUR/MINUTE** (Note: device will move quickly from one time & date setting to another, please be immediate with inputting the correct settings).
4. **“VIDEO/PHOTO ” setting:** when entering this mode, these two icons   and “V” appear on the screen; push the button to choose “V” (Video) or ”P”(Photo)*. If you have not pushed any buttons for 3 second, “OK” will appear on the screen, indicating it has automatically saved the current settings. The LCD screen will shut off automatically 10 seconds later.

* On the “P” (photo) setting, Gatekeeper will take a series of digital photographs at a rate of 3 photos every second when the motion sensor is triggered.









①		Start	②		YEAR Setting
③		MONTH Setting	④		DATE Setting
⑤		HOUR Setting	⑥		MINUTE Setting
⑦		VIDEO/PHOTO Setting	⑧		Finish

Fig. 11

5. Viewing Recorded Video

Viewing image via a computer through a card reader (see Fig. 12)

1. Open the waterproofed cover on the Gatekeeper Motion Light with Video Camera
2. Press OFF/REC button and remove SD card from the slot.
3. Put the SD card into a card reader, connect PC and card reader by USB cable (not included) and open any media player to view the video.

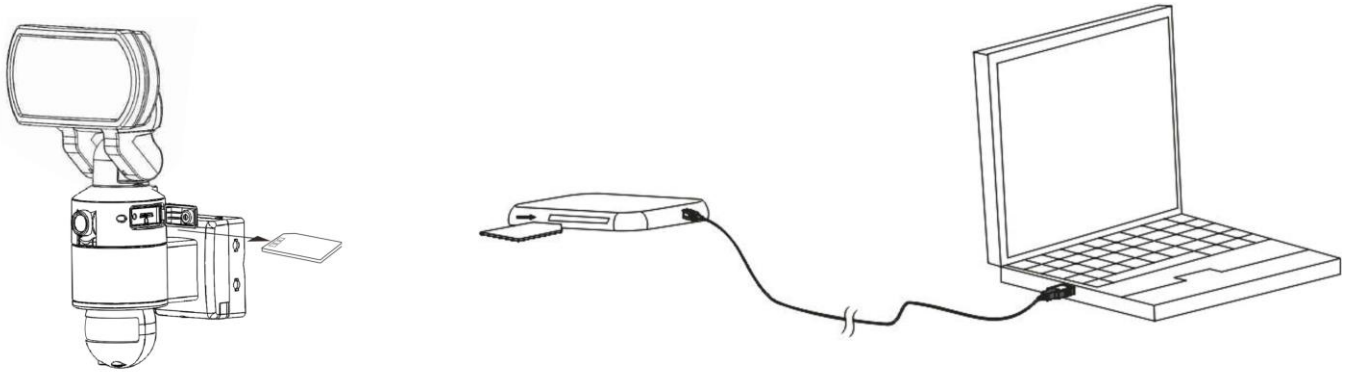


Fig. 12

6. Technical Specifications

Features and specification:

- PIR detection angle 160 Degrees and detection range up to 10M
- Records 20 seconds of image recording for image stream : 15fps at 1280X720P Pixels
- Built in SD card slot for SD memory card
- SD card slot for additional storage, max memory size up to 32G
- SD card spec.: FAT16(SD)/ FAT32(SDHC)
- Automatic exposure control, white balance and sharpness
- Auto Date & Time stamp
- Effective viewing angle : 40 degrees
- Effective viewing distance: 8M
- Image format: JPEG AVI File
- Rating AC 220V -240V ~50Hz
- 1W x 8PCS LED
- Auto light sensor
- Lux control
- Timer control: 5seconds - 7minutes
- Floodlight time delay control
- IP Rating: IP55

7. SD Card: Important information

The minimum requirements of a PC / Laptop required to provide accurate reading and re-writing of an SD card used within the Gatekeeper is as follows:

CPU	Minimum 1GHz
RAM	Minimum 2GB
OS	Windows 2000 / XP / Vista / 7
SD card	Must have a capacity of 2GB or higher (maximum 32GB)

Formatting the SD card

It is good practice to format the SD card using the PC /Laptop you intend to use for viewing captured images each time any of the following events occur:

- After a mains power removal from the Gatekeeper.
- After removing the SD card for viewing prior to replacing in the Gatekeeper.

To format the SD card:

Please ensure to save any required images to an alternative folder prior to formatting.

1. Place it in the SD / USB adaptor (not supplied)
2. Place the adaptor in a spare USB port on your PC / Laptop
3. Right click on the SD card location
4. Select Format
5. Ensure the correct file system is selected FAT16 (or FAT) for SD and FAT32 for SDHC
6. Select quick format

Following these simple points will ensure correct operation of product unit and should be considered as part of its maintenance schedule.

8. Safety precautions

Special care instructions!:

- The Gatekeeper Motion Light with Video Camera is designed to be weather resistant. Never attempt to immerse the unit in water or any other liquid. This will damage the unit and void the warranty.
- This product is designed to illuminate and record video. It will not prevent the commission of any act, legal or illegal. The manufacturer assumes no liability for any damage to property, injury to person, or death.
- Use a soft lens cloth for cleaning lens. Avoid touching lens with fingers.
- Remove dirt or stains with a soft cloth dampened with water or neutral detergent. Keep the Gatekeeper Motion Light with Video Camera in a dry and cool dust-free environment or container when it is NOT being used
- Do not open the Gatekeeper Motion Light with Video Camera for any unauthorised service. This could cause serious damage to the unit and will void the warranty.
- This Gatekeeper Motion Light with Video Camera is a precision electronic device. Do not attempt to service this camera yourself, as opening or removing covers may expose you to the danger of electric shock or other risks.
- To avoid risk of burns due to high temperature do not touch the floodlight when it is turned on.

9. FAQs (Frequently Asked Questions) Section

Q. How many pictures can the SD card hold?

A: The size in bytes of each 20-second video clip will vary depending on the amount of brightness, color, and movement in each video clip. The clips typically vary from 8MB to 16MB.

SD Card	File Size	Q'ty of File(approx.)
1G	8Mb	125
1G	16Mb	62
2G	8Mb	250
2G	16Mb	125
4G	8Mb	500
4G	16Mb	250

Q. What happens when the card is full?

A: The Gatekeeper will automatically return to the oldest file and save over it each time a new video clip is stored. That means you don't have to take out the SD card unless you wish to review or save the video files.

Q. Can I transfer pictures from the camera via cable?

A: No, you can't. If your computer has an SD card slot, you may insert the SD card directly into the computer and access the files by going to 'My Computer' and opening the 'Removable drive' for the SD card, which should appear when you insert the card. See Chapter 6: Viewing recorded video (Page 9) in this instruction manual for details. If you don't have an SD card slot, you may purchase an SD card reader from any retailer that sells electronics. Once you have an SD card reader, simply insert the card into the reader and attach the reader to your computer using a USB slot (not included in this packaging), and access the data the same way as explained above.

Q. Can I view a live image of what the camera sees?

A: No, you can't. There is no USB port available with Gatekeeper unit.

For more information about our CCTV products and accessories,
please visit our website:

www.oyn-x.co.uk

Alternatively scan this QR code with your smart phone to
be directed instantly to our website.



Download our mobile apps to remotely operate your
NVR on the move.